

HOLLOW-BLADE FANS TYPE HP-3

GLASS REINFORCED PLASTIC
Diameter – 240" – 264"
8 Blades



Your Full-Service
Cooling Technologies Company
www.paharpur.com

PRECISION-MANUFACTURED FAN BLADES

PAHARPUR LEADS



Each fan blade is factory balanced and precisely measured & matched with accompanying blades before shipping.

Paharpur designs and produces its own fan blades – these are factory **balanced, tested, measured and matched** to ensure stable operation, high reliability, longevity and operating economy in the rough conditions of the cooling tower.

Precision and uniformity in manufacturing helps significantly improve operating economy by giving better control over fan speed and power consumption

Precision manufacturing ensures reliable operation:

When it comes to fan efficiency, every millimetre matters – uniform width blade-tip clearance, pitch balancing and weight are of critical importance. Paharpur manufactures every blade specifically for every order to ensure uniformity among all fan blades supplied. This allows us to improve operating economy and ensure reliable performance.

Maximum customisation:

Paharpur has more than 00 fan diameters to choose from, under 00 fan types. Further, we can provide you with 00 types of fan hubs. This variety in material of construction, radius and design helps Paharpur provide the right combination for your cooling tower – giving Paharpur a truly unmatched advantage

while sizing your cooling tower. With maximum prospects for customisation, Paharpur can supply your with an industry-leading solution.

Corrosion resistance enhances service life:

Aluminium is naturally highly corrosion resistant and exhibits high durability in the moist conditions inside a cooling tower. Intelligent selection of component raw material affords a long and reliable service life to Paharpur's products.

Statically balanced fans ensure dependability:

Every fan blade supplied is statically-balanced at Paharpur's facility to ensure uniform weight distribution – this helps ensure the integrity of your cooling tower, saves fan power and helps maintain the reliability of your cooling operation.

Variable-pitch provides control over power consumption:

Paharpur gives you control over your cooling tower's power consumption by providing variable pitch blades for all fans. Control power consumption with varying heat load and wet bulb temperatures.

Single-piece construction for high structural integrity:

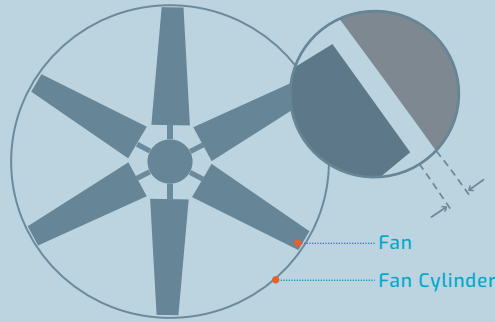
All Paharpur manufactured fan blades are made as single pieces; this helps maintain the structural integrity of the fan as joints can come under severe mechanical stress in rotating equipment. Single-piece construction means that you do not have to worry about the leading edge of the blade coming off during operation and cause damage to your equipment.

BLADE-TIP CLEARANCE

PRECISION MANUFACTURING ENSURES RELIABLE PERFORMANCE

UNIFORM BLADE-TIP-CLEARANCE

UNIFORM RADIUS OF ALL BLADES



MINIMUM BLADE-TIP CLEARANCE

The clearance between the blade-tip and cylinder is minimum for optimum utilisation of fan power.

Type HP-3-8 fans of 240" and 264" diameter standard bores are shown on the back of this page. Special assemblies of other diameters from 217" to 263" and/or with special bores are produced on order. The eight glass reinforced polyester blades are of twisted

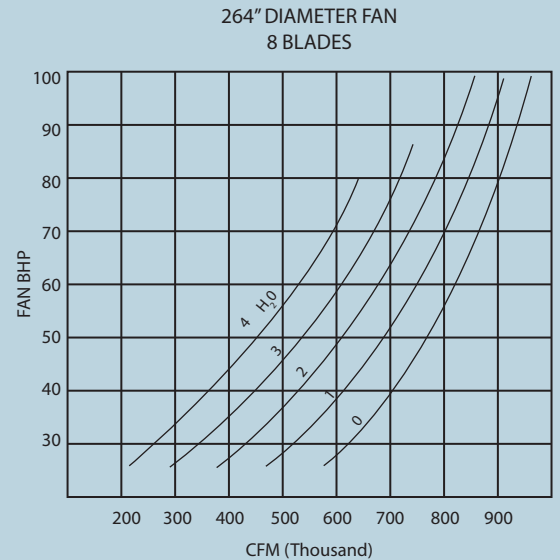
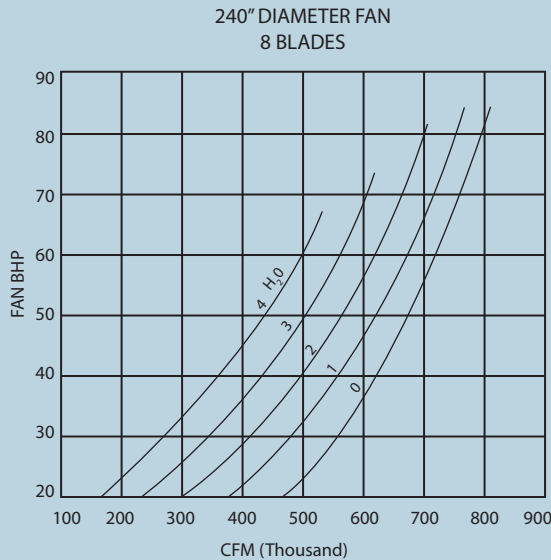
and tapered aerofoil design, produced in matched metal moulds with moulding pressure in excess of 300 PSI. The blade shank is drilled for a through bolt which accurately positions the blade radially. Blade clamps are hot dip galvanized ductile iron

castings, radially positioned by a through bolt and clamped by two U-bolts. All blade clamping hardware is galvanized. The hub is a welded low carbon steel assembly, consisting of a center hub, spokes, spoke braces, and center discs, hot dip galvanized after fabrication.

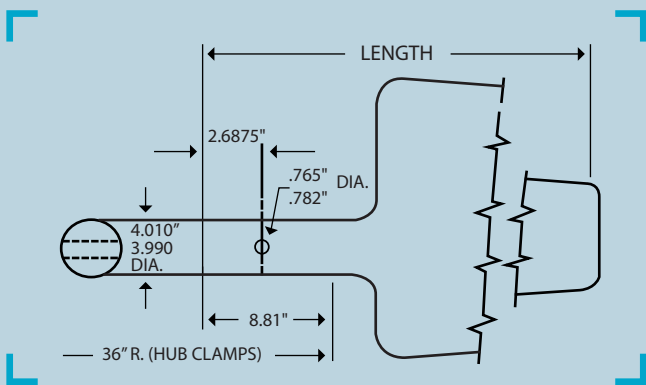
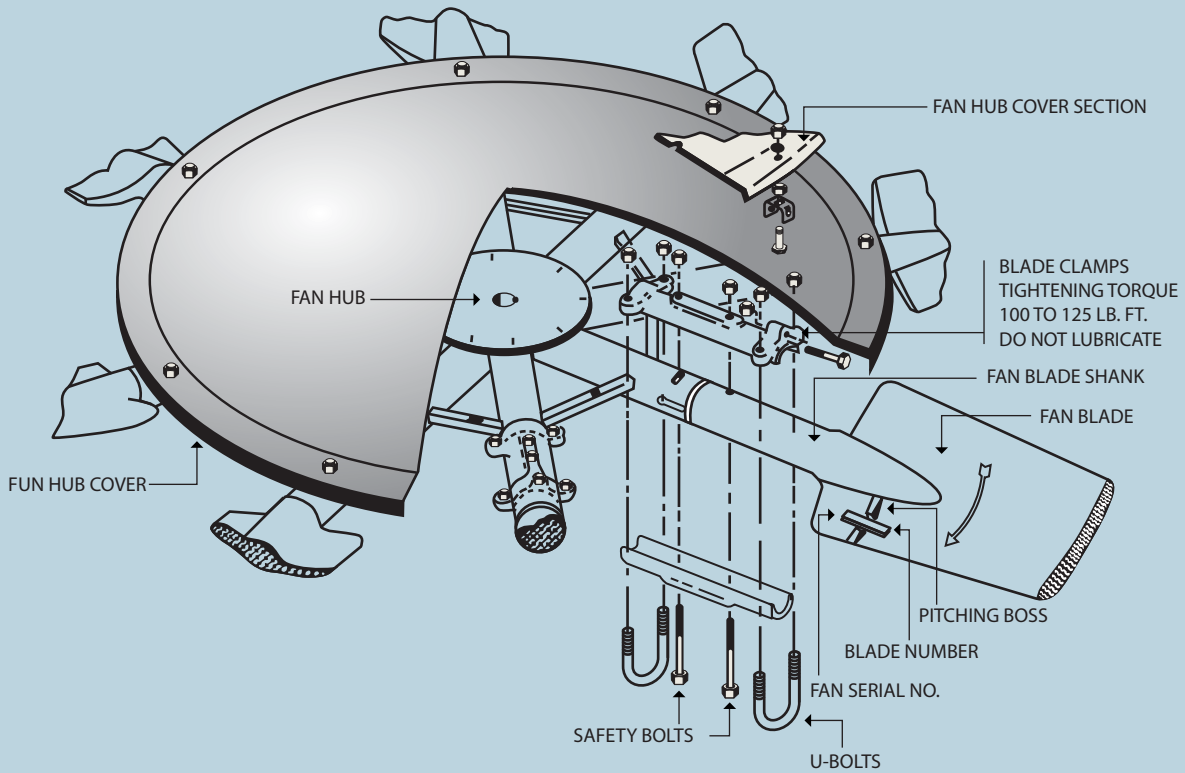
Balance weights, as required, are attached to the spoke brace. The hub cover is dome-shaped glass reinforced polyester and attached near the periphery with stainless steel hardware.

FAN PERFORMANCE DATA

The CFM shown is standard air : .075 lbs. per cubic foot equivalent to 70° dry air at sea level. Curves are based on model tests, simulating AMCA procedures. The test cylinder was eased inlet with close tip clearance. Tip clearance, fan cylinder and system characteristics can cause variation from the curve shown alongside.



Fibre Glass Nacelle Hub Cover and Blade Seal



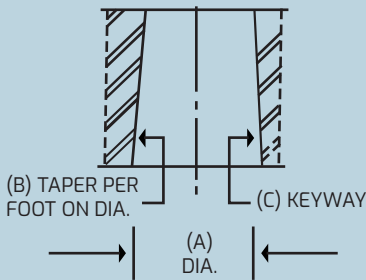
Width and thickness of standard blades for the 240" and 264" fans decrease from inboard end to tip of blade as follows:

FAN DIA.	APPROX WIDTH		MAXIMUM THICKNESS	
	MAX.	MIN.	INBOARD	OUTBOARD
240"	15 1/2"	9 3/4"	1 3/8"	11/16"
264"	15 1/2"	9 5/8"	1 3/8"	11/16"



Your Full-Service
Cooling Technologies Company
www.paharpur.com

STANDARD CROSS SECTION SHOWING HUB, HUB COVER AND BLADE DIMENSIONS

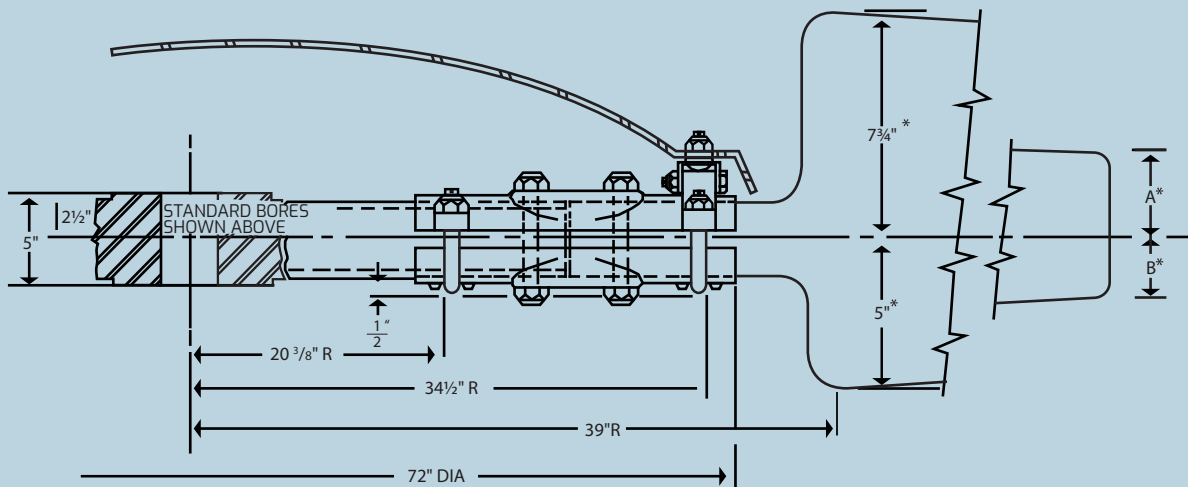


STANDARD HUBS		
A	B	C
DIA.	TAPER	KEYWAY
4.537	.500	1/2 x 1
4.541	.502	
3.705	1.750	3/8 x 3/4
3.710	1.752	
4.412	3.500	1/2 x 1
4.422	3.502	

HUB COVER AND BLADE DIMENSIONS

FAN DIA.	A*	B*
240"	3-1/8"	1-5/8"
264"	3"	1-1/2"

*Dimensions of blade above and below fan centre line at maximum pitch of 510 on pitching boss.



DIA.	NO. OF BLADES	BLADE LENGTH	MAX. RPM	MAX. TIP SPEED FPM	MAX. STR. BORE	APPROX. WT. EACH BLADE	APPROX. WT. HUB	APPROX. TOTAL WT.	RADIAL TIP CLEARANCE	
									MIN.*	MAX.
240"	8	92.81"	201	12,630	4 3/16"	93 LBS.	575 LBS.	1445 LBS.	1/2"	1 1/8"
264"	8	104.81"	201	13,900	4"	98 LBS.	575 LBS.	1485 LBS.	1/2"	1 1/4"

Speed Range to Avoid : 240", 130 to 146 RPM. • 264", 137 to 153 RPM.

*Minimum clearance at tip of trailing edge.

PAHARPUR COOLING TOWERS LTD.

Paharpur House
8/1/B Diamond Harbour Road
Kolkata 700027, India
Ph : +91 33 4013 3000
Fax : +91 33 4013 3499
pctccu@paharpur.com



Your Full-Service
Cooling Technologies Company
www.paharpur.com



INDIAN SALES OFFICES

CHENNAI

2G, Vishwapriya Apartment –
3rd floor, Kasthuribhai Nagar,
1st Cross Street, Adyar
Chennai 600020
Ph : +91-44-2490 0275
+91-44-2490 3109
Fax : +91-44-2490 3117
E-Mail : pctmaa@paharpur.com

BENGALURU

Paharpur House
41 Cunningham Road Cross
Bangalore 560052
Ph : +91-80-2226 5566-7
+91-80-2234 1911
Fax : +91-80-2225 3999
E-Mail : pctblr@paharpur.com

HYDERABAD

3rd Floor, "The Grand"
6-3-1090/B/4, Raj Bhavan Road
Somajiguda
Hyderabad 500082
Ph : +91-40-2331 7081-3
Fax : +91-40-2331 7081
E-Mail : pcthyd@paharpur.com

MUMBAI

506 Navkar Chambers, 5th Floor
'B'Wing, Andheri-Kurla Road
Andheri (East)
Mumbai 400059
Phone : +91-22-4043 2432
+91-22-2859 5924-26
Fax : +91-22-2851 4913
E-Mail : pctbom@paharpur.com

NEW DELHI

806 Ashoka Estate
24 Barakhamba Road
New Delhi 110001
Ph : +91-11-2335 7846-50
+91-11-2331 0826
Fax : +91-11-2335 7851
E-Mail : pctdel@paharpur.com

VADODARA

Plot No. 132 KV-I
Manjusar-Savli GIDC
Ta. : Savli, Dist. : Vadodara 391775
Gujarat
Ph : +91-2667- 264331-32
Fax : +91-2667-264333
E-Mail : pctbdq@paharpur.com

INTERNATIONAL SALES OFFICES

Lugano, Switzerland
Izmir, Turkey
Beijing, China
Seoul, South Korea
Denver / Bridgewater/
Overland Park, USA

Brussels, Belgium
Stabio, Switzerland
Varese, Italy
Madrid, Spain
Lagos, Nigeria
Mexico City, Mexico

An ISO 9001:2015,
ISO 14001:2015 &
OSHAS 18001:2007
certified company

www.paharpur.com

PAHARPUR LEADS

Disclaimer:

Paharpur's policy of continued improvement may necessitate data to be changed without notice. For the latest information, please contact Paharpur.